


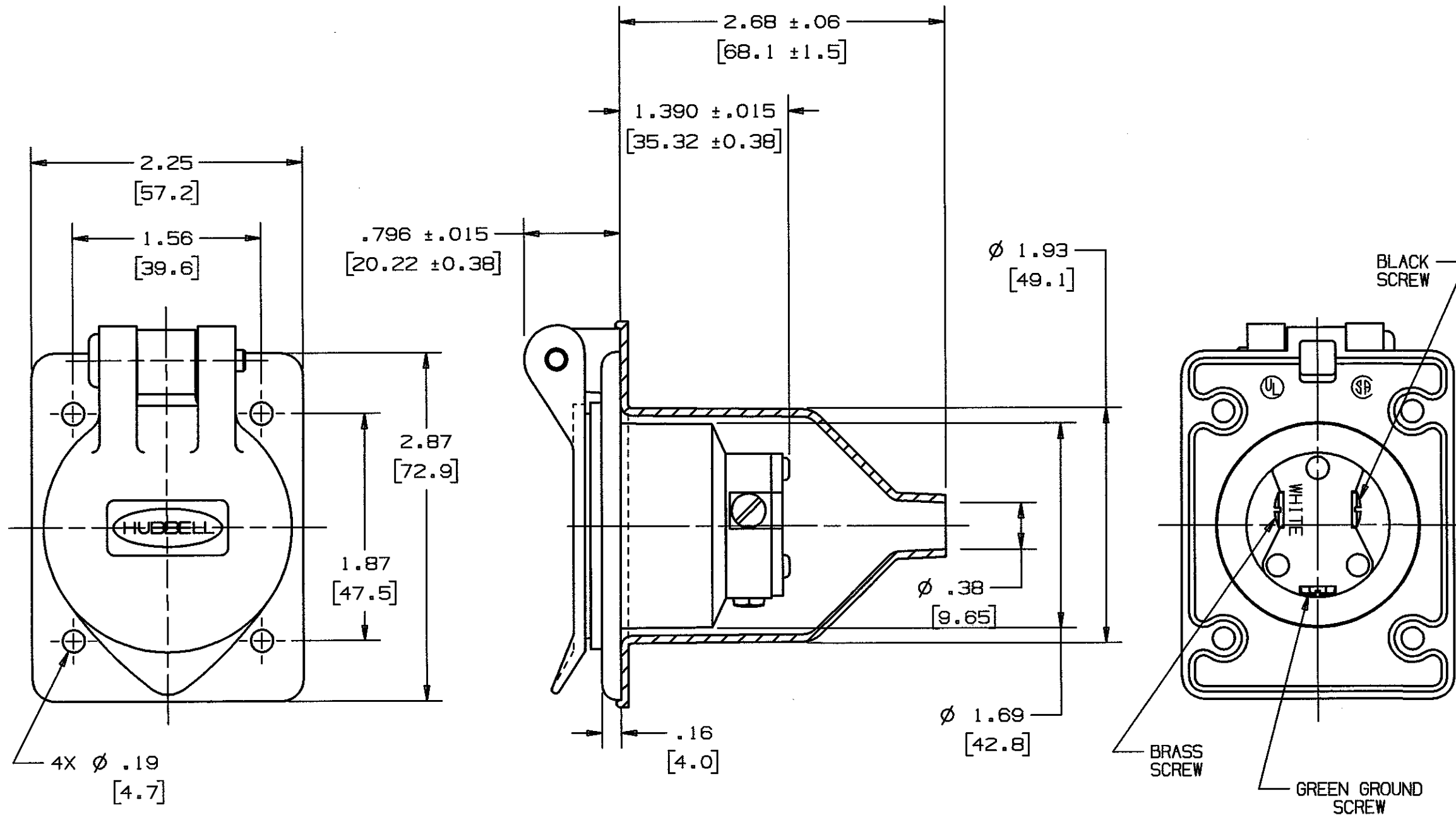
## HBL61CM64 -- Weatherproof Straight Blade Inlet



Compact gray nylon panel mount inlet ideal for bass boat battery charging connection. Has gasketed spring-loaded lift cover for weatherproofing front and neoprene boot for weatherproofing rear. Will accept both 15A 125V and 20A 125V 2 pole, 3 wire straight blade connector bodies.

Product Specifications	
<b>Product Type</b>	Weatherproof Straight Blade Inlets
<b>Rating</b>	15A 125V, 2p3w
<b>Blade Type</b>	Straight Blade
<b>Color</b>	 Gray
<b>Poles and Wires</b>	2 Pole, 3 Wire Grounding
<b>Approvals</b>	UL, CSA
<b>Moisture Resistance</b>	IP20
<b>M Drawings</b>	<a href="#">Click here for M-Drawing</a>
<b>Catalog Page</b>	<a href="#">Click here for catalog page V31</a>
<b>Hubbellnet</b>	<a href="#">Click here for Hubbellnet</a>
<b>Catalog Section</b>	<a href="#">Click here for Section-V</a>
<b>UPC Number</b>	78358580865
<b>Weight in LBs</b>	0.3

# M-5799 5



NOTES: (UNLESS OTHERWISE SPECIFIED)

1) DIMENSION FORMAT IS: INCHES  
[ mm ]

2) DIMENSIONS SHOWN ON THIS DRAWING ARE  
NOMINAL VALUES FOR GENERAL USE ONLY.  
ACTUAL PART TOLERANCES MUST BE  
OBTAINED FROM HUBBELL ENGINEERING.

CATALOG NUMBER	COVER AND FLANGE COLOR
HBL61CM64	GRAY
HBL61CM64BK	BLACK

## LIST OF PARTS

DESCRIPTION	MATERIAL	FINISH
COVER FLAP	NYLON	SEE TABLE
BASE	NYLON	SEE TABLE
GASKET	EPT	BLACK
HINGE PIN	BRASS	NICKEL PLATE
SPRING (FLAP)	ST. STEEL	
GROUND BINDING PLATE	.060 BRASS	NICKEL PLATE
GROUND BLADE	BRASS	NICKEL PLATE
CONTACT BLADES	.060 BRASS	COPPER BRASS
HEX HEAD BINDING SCREW	BRASS	GREEN
BINDING SCREWS	BRASS	BLACK BRASS
RETAINING WASHER	.051 PHENOLIC	
PROTECTIVE BOOT	NEOPRENE	GRAY

SUPERSEDES DRAWING  
DATED 11-18-74

5	REDRAWN ON CAD WITH CHANGES; DECIMAL DIMENSIONS WERE FRACTIONAL ADDED DUAL DIMENSIONING; ADDED NOTES 1 & 2; REVISED TITLE; IN LIST OF PARTS, "SEE TABLE"; WAS "GRAY"; UNDER "DIMEN- SION SHEET FOR CAT. NO." "SEE TABLE" WAS "61CM64"; PER DCN #8682. JMN TCM	TCM	11/9/01
---	---	-----	---------

SYM	REVISIONS	APP	DATE

THE DESIGN AND DIMENSIONS OF THE  
PRODUCT SHOWN ON THIS DRAWING ARE  
SUBJECT TO CHANGE WITHOUT NOTICE

TITLE  
WEATHERPROOF FLANGED INLET  
15AMP 125V. NEMA 5-15P

TOLERANCES UNLESS  
OTHERWISE SPECIFIED  
FRACTIONS ± 1/64  
DECIMALS ± .005  
ANGLES ± 2°

WIRING DEVICE-KELLEMS  
HUBBELL INCORPORATED  
BRIDGEPORT, CT  
DR. BY CJG APP. BY JNC  
TR. BY JMN SCALE 1:1  
CHK'D BY TCM DATE 11/9/01

## Marine Products

# 15 Ampere, 125V AC

2 Pole 3 Wire

### Straight Blade Devices



**IP20**  
SUITABILITY



15A 125V

NEMA 5-15R

### 15A 125V AC Straight Blade Devices

Description	Catalog Numbers
Yellow single receptacle features Rynite® body and abuse resistant nylon face.	<b>HBL52CM61</b>
Yellow corrosion resistant duplex receptacle. Use where salt or other corrosive elements are a problem.	<b>HBL52CM62</b>
Same as #HBL52CM62 except ivory.	<b>HBL52CM62I*</b>
Yellow Insulgrip® plug has rugged nylon housing and detachable cord grip with range of .230"-.720" (5.8-18.3) that utilizes a unique offset jaws arrangement for secure strain relief.	<b>HBL52CM66C</b>
Yellow Seal-Tite® cover for weatherproofing straight blade Insulgrip plugs, #HBL52CM66C and #HBL53CM66C, when used with receptacles and connector bodies. Can also be used to weatherproof Insulgrip connector bodies when mating with flanged inlets. <b>IP55 SUITABILITY</b> . Not UL or CSA. Note: For Insulgrip® devices only.	<b>HBL60CM17*+</b>
Yellow Insulgrip® connector body has rugged nylon housing and detachable cord grip with range of .230" to .720" (5.8-18.3) that utilizes a unique offset jaws arrangement for secure strain relief.	<b>HBL52CM69C</b>
Yellow Seal-Tite® cover for weatherproofing straight blade Insulgrip connector bodies, #HBL52CM69C and #HBL53CM69C, on extension cords and adapters. <b>IP55 SUITABILITY</b> . Not UL or CSA. Note: For Insulgrip® devices only.	<b>HBL60CM18*+</b>
Yellow Valise® plug has one-piece nylon housing that assembles easily with two screws. Built-in cord grip has range of .220"-.660" (5.6-16.8).	<b>HBL52CM66V</b>
Yellow Valise® connector body has one-piece nylon housing that assembles easily with two screws. Built-in cord grip has range of .220"-.660" (5.6-16.8).	<b>HBL52CM69V</b>
Yellow Insulgrip® plug with anchor locking screw to prevent accidental pull-out. The plug is "locked" into the receptacle when the screw is turned down so the head is flush with the plug surface. The cord grip range is .296"-.687" (7.5-17.4). UL Recognized Component.	<b>HBL52CM80C</b>
Compact gray nylon panel mount inlet ideal for bass boat battery charging connection. Has gasketed spring-loaded lift cover for weatherproofing front and neoprene boot for weatherproofing rear. Will accept both 15A 125V and 20A 125V 2 pole, 3 wire straight blade connector bodies.	<b>HBL61CM64</b>
Same as #HBL61CM64 except black in color.	<b>HBL61CM64BK*</b>
Yellow Valox® spring-loaded lift cover plate for weatherproofing duplex receptacles. Stainless steel screws and neoprene gasket included for mounting to FS/FD type weatherproof boxes.	<b>HBL52CM21*</b>
Same as #HBL52CM21 except gray in color.	<b>HBL5221*</b>
Same as #HBL52CM21 except for mounting to standard boxes.	<b>HBL52CM22*</b>
Same as #HBL52CM22 except gray in color.	<b>HBL5222*</b>
Yellow Valox® spring-loaded lift cover plate for weatherproofing single straight blade receptacles. Stainless steel screws and neoprene gasket included. For mounting to FS/FD type weatherproof boxes. <b>IP44 SUITABILITY</b> .	<b>HBL74CM23WO</b>
Same as #HBL74CM23WO except gray in color. <b>IP44 SUITABILITY</b> .	<b>HBL7423WO*</b>

Notes: \*Not shown.

+ Boots are not UL listable.

Rynite® is a registered trademark of E. I. DuPont.

Valox® is a registered trademark of General Electric Company.



HBL52CM61

HBL52CM62



HBL52CM66C



HBL52CM69C



HBL52CM66V



HBL52CM69V



HBL52CM80C

HBL74CM23WO  
HBL7423WO

HBL61CM64